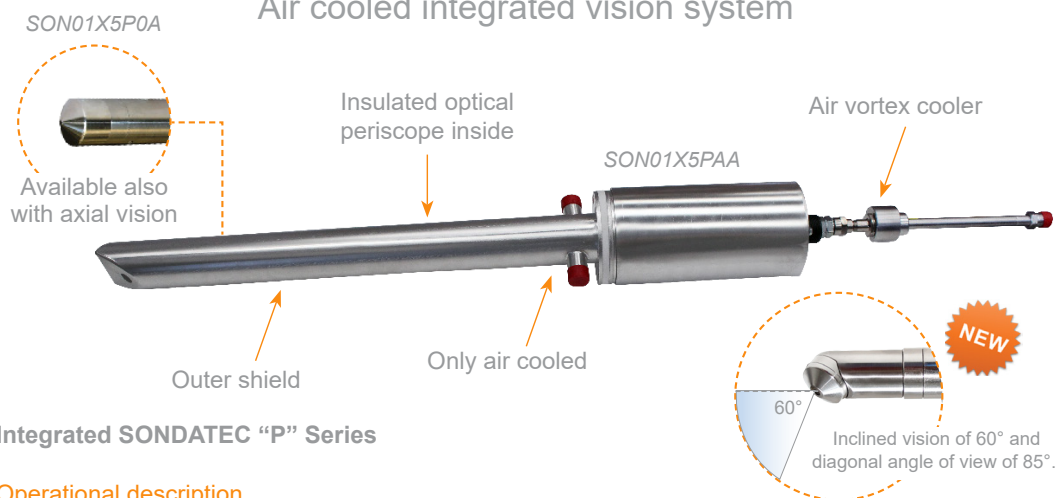


HIGH TEMPERATURE CAMERA

sonda^{tec} Sondatec P integrated system

Air cooled integrated vision system



Integrated SONDATEC "P" Series

Operational description

Telea Tecnovision has realized a range of integrated products that combines the performance of SONDATEC-P housings with the efficiency of CAMTEC cameras.

CAMTEC high-temperature cameras provide clear, crisp images of the combustion process in boilers, kilns, furnaces, incinerators and other combustion chambers. With the real-time image provided, engineers and operators can monitor the proper flow of fuel and raw materials, reduce emissions, reduce fuel consumption, speed up boiler light off, and improve safety.

CAMTEC cameras offer industry leading 800 HTVL-Effective resolution, Low Light and WDR performance combined with motion adaptive 3D Digital Noise Reduction. These cameras will produce high quality video even in the most challenging lighting conditions present in the high temperature industrial process. Integrated version with IP camera inside is available too.

SONDATEC-P housings are 600 mm long with a diameter equal to 50 mm. They are typically endowed with axial or inclined vision and they can allow diagonal angles of vision up to 105°. Full Air cooling solution requires special attention for the outer shield materials. AISI310 grade steel has been used for maximum results.

SONDATEC-P camera housings employ a special double air cooling system that allows operation with temperatures up to 1800°C. Standard service quality pressurized air circuit allows the external cooling meanwhile a cold instrumentation flow air is produced by a vortex cooled device.

SONDATEC-P housings are "pressurized": an integral compressed air system supplies clean air (or appropriate gas) for cooling and particulate removal from the lens. In such a way the lens doesn't require any expensive protection glass, crystal and protection porthole. A constant supply of clean air is essential for proper camera operation and protection: GFATEC series represent an effective filtration system able to remove contaminants and to provide high quality clean air in industrial environments.

SONDATEC-P housings may be provided with retraction devices (INTEC series): in case of system failure, or failure of the cooling supply, the retraction device automatically removes the housing from the furnace and seals the furnace porthole.

Aware of the difficulties and of the critical urgencies that characterize industrial environments, the settings, operation and control of CAMTEC series cameras can be easily done from portable camera control unit (UTC sold separately) using coaxial video cable, the same of video signal transmission.

Both PAL and NTSC versions are available allowing the use of CAMTEC anywhere in the world.

Technical specification

Diameter:	50 mm
Length of penetration:	500 mm
Angle of vision:	axial or inclined (60°), max horizontal angle: 105°
Camera:	colour or B/N CAMTEC series
Electrical connections:	armoured flexible tube

The "T TELEA" brand and "T" logo are registered trademark of Telea Tecnovision S.r.l. Specifications may be subject to change for improvement without prior notice.



Head Office and Factory:
Telea Tecnovision Srl
Italy
tel. +39 02 9952517
fax. +39 02 40700322
telea@telea.com
www.telea.com

HIGH TEMPERATURE CAMERA

Air for cooling and cleaning lens

Connection:	1/4" M-BSPP (vortex)
Temperatures IN:	40°C max
Pressure entry:	6 bar, up to maximum 8 bar (3*)
Consumption:	@6 bar typical 30 Nm³/h for release 2000btu/h (3*)
Quality:	Instrumental Air ISO 8573-1Classe 1.2.1

Air for cooling external shield

Connection:	2x1/2" M-BSPP
Pressure entry:	2 bar
Consumption:	Typical 20 Nm³/h

Technical Specifications CAMTEC analog camera inside

IMAGE	Sensor	1.3 Mega pixel sensor
	Effective pixels	1305 x 1049
PERFORMANCE	Resolution	800 HTVL
	Dynamic Range	130 dB
	Sensitivity	0.01 Lux
	S/N Ratio	52 dB
	Day / Night	Software controlled
LENS	Type	Manual / High temperature
	Focal lens	Various
FUNCTIONS	OSD	English
	Shutter	1/50 ~ 1/120,000
	Flickerless	On / Off
	WDR / HLC / BLC / Defog	Off / low / medium / high
	AGC	Off / adjustable level
	Digital slow shutter	Adjustable level
	Digital image stab. / Electronic shutter	YES
	Sync	Internal / External
	Camera ID number	Off / On 1 ~ 256
	Camera name	Off / On, 8 characters
	White Balance	ATW / push / manual
	3D DNR	Off / low / medium / high
	Gamma	0.35 ~ 0.55
	Chroma gain	Adjustable
	Motion detection	4 areas, off/on, position & sensitivity
	Privacy masking	8 areas, off/on, color, position
	Image functions	Flip, mirror, D-Zoom
	INPUT / OUTPUT	Video output
Programming interface		Back panel joystick, Optional UTC controller
POWER	Power supply	12 VDC, -10%~15%, 1.5 W Max or 24 VAC, ± 20%, 2.1 W Max

Correlated products

INT02X_ INTEC retraction device

Available models (Part Number Configurator)



0	1	X	A	B	C	D
			Length [mm]	Series	View / Field of vision	Type of camera inside
			1 = 1000/1200	S = Air & water cooling		A = Analog
			3 = 300	P = Air cooling		P = IP
			4 = 4000	G = Air cooling		
			5 = 500*			
			6 = 1600			
			7 = 700			
					Part number configurator "C"	
					View	Field of vision
					0	Axial -
					A	bottom
					B	Inclined up
					C	60° left
					D	right

Notes

*Length of penetration

(3*) Data are indicative and depend of process' temperature and application. For more informations, please contact our engineers.

The "T TELEA" brand and "T" logo are registered trademark of Telea Tecnovision S.r.l. Specifications may be subject to change for improvement without prior notice.



Head Office and Factory:
Telea Tecnovision Srl
Italy
tel. +39 02 9952517
fax. +39 02 40700322
telea@telea.com
www.telea.com